

Speaker

Model: OSS11-41-16A2.0W8



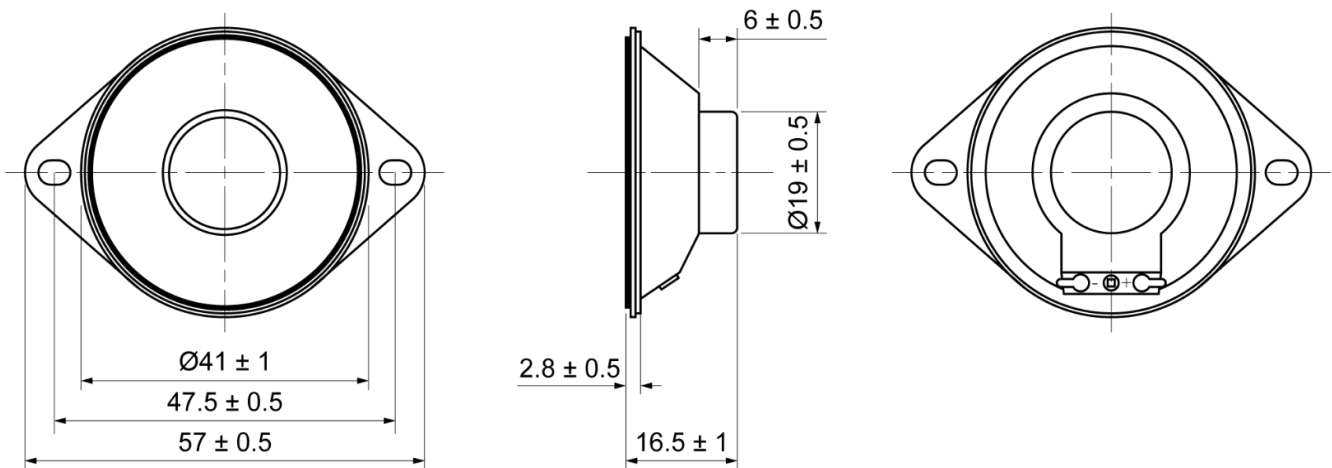
ELECTRICAL SPECIFICATIONS

	Condition	Parameter	Unit
Sound Pressure Level	at 0.1W, 0.1M [at 1.0, 1.2, 1.5, 2.0KHz]	91 ± 3	dB
Impedance	at 1V, 1000Hz	8 ± 15%	Ω
Rated Input Power		2	W
Max Input Power		3	W
Resonant Frequency (Fo)	at 1V	1080 ± 20%	Hz
Frequency Range		F0 ~ 10K	Hz
Buzzer & Rattles	not be audible at sine wave between F0 ~ 10KHz	4	V
Operating Temperature		-30 ~ 75	°C
Magnet		Nd-Fe-B	
Frame Material		Metal	
Cone Material		Paper	
Weight		20	g

MECHANICAL DRAWING

Dimensions in mm

Tolerance ±0.5mm Except Specified



Speaker

Model: OSS11-41-16A2.0W8

FREQUENCY RESPONSE CURVE

